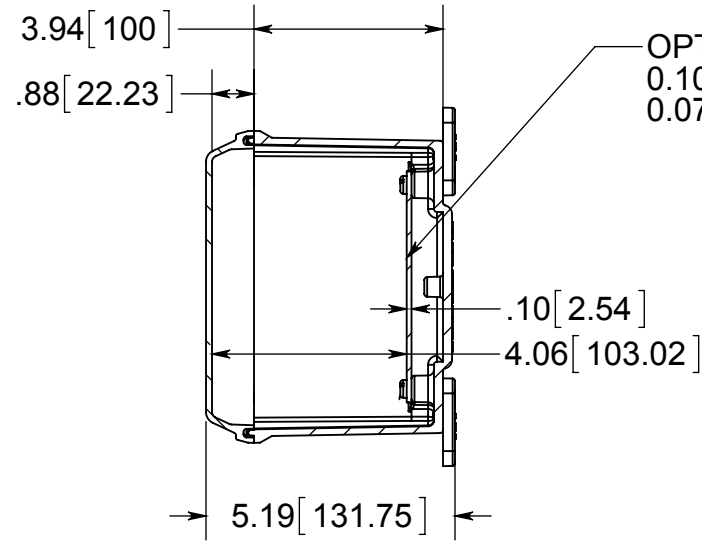
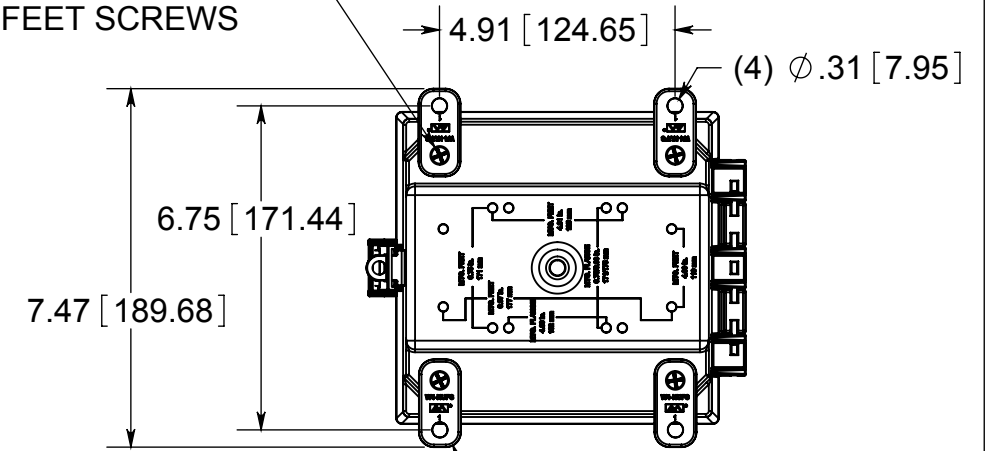


STAINLESS STEEL HINGE PIN



OPTIONAL BACK PANEL SHOWN  
0.100 [2.54mm] TH'K- ALUMINUM  
0.075 [1.91mm] TH'K- WHITE STEEL

(4) EACH #10-32 BRASS INSERTS, AND STAINLESS STEEL FLANGE AND FEET SCREWS



FRONT VIEW WITH COVER REMOVED AND BACK PANEL DISPLAYED

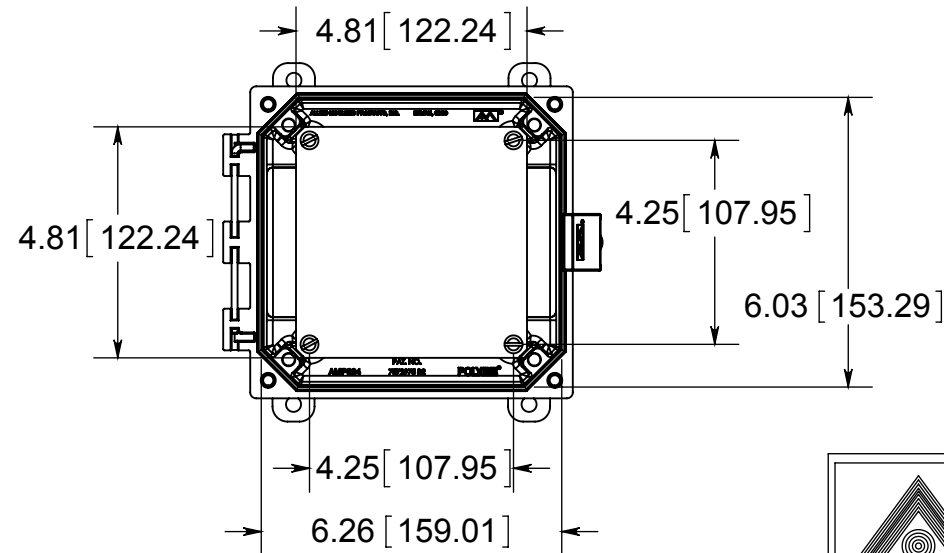
(4) POLYCARBONATE FEET

CLOSED CELL NEOPRENE GASKET

NON-METALLIC LOCKABLE SNAP LATCH LOCATED ON CENTER

.14 [3.68]

(4) EACH #10-32 BRASS INSERTS AND PLATED CARBON STEEL TRUSS SCREW



MATERIAL:  
BOX- INJECTED POLYCARBONATE  
STANDARD COVER- INJECTED POLYCARBONATE  
CLEAR COVER- INJECTED POLYCARBONATE

**CONFIDENTIAL**

THIS MATERIAL IS OWNED BY THE ALLIED MOULDED PRODUCTS COMPANY, IS DISCLOSED IN CONFIDENCE, AND IS NOT TO BE REPRODUCED OR DISTRIBUTED WITHOUT PRIOR WRITTEN PERMISSION FROM ALLIED MOULDED PRODUCTS.



® ALLIED MOULDED PRODUCTS  
BRYAN, OHIO

The Original Fiber Glass Outlet Box

PRODUCT SERIES

AMP Polyline

Part No.

AMP664CCNL