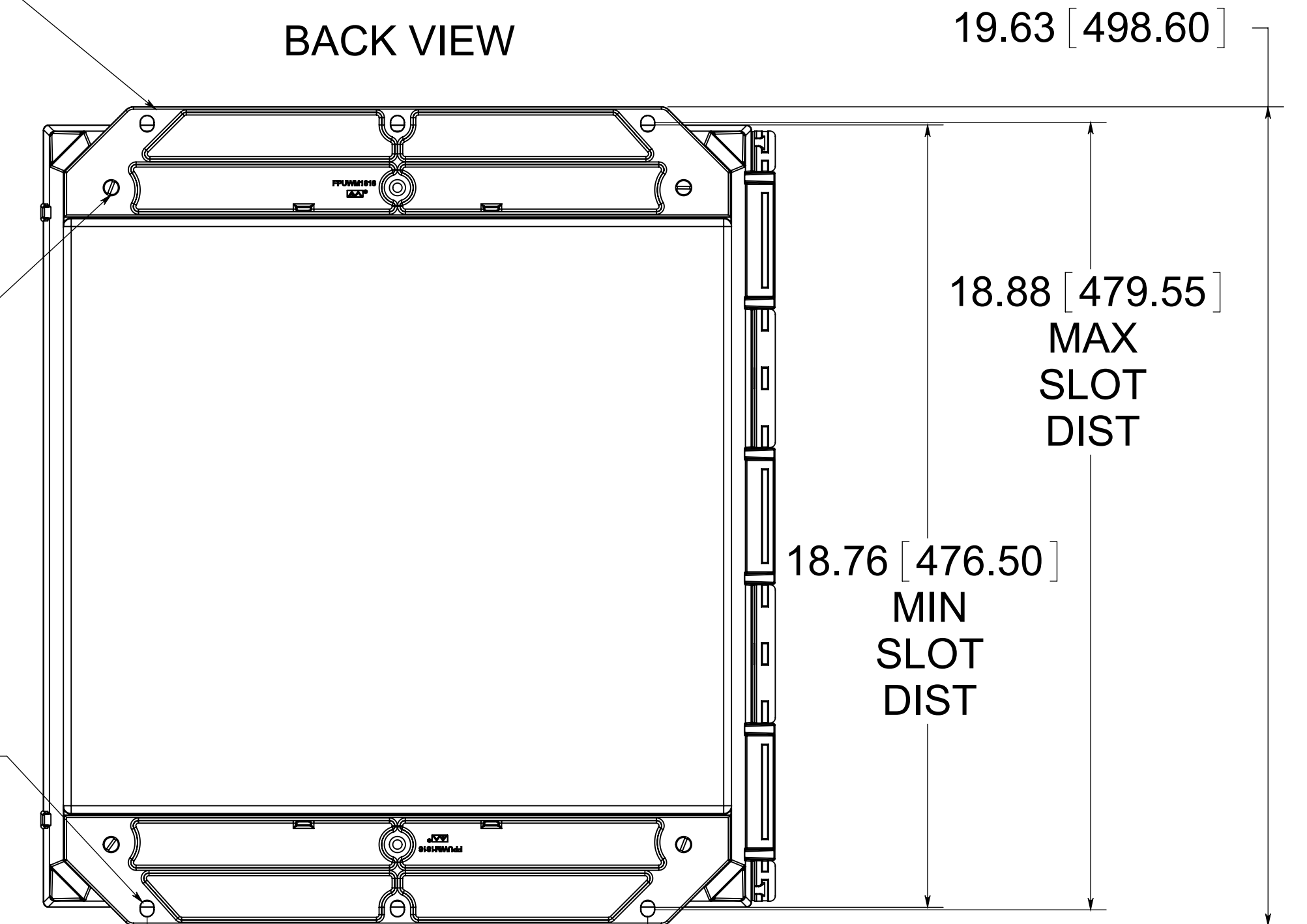


OPTIONAL BACK PANEL  
 0.100 [2.54] TH'K- ALUMINUM  
 0.075 [1.91] TH'K- WHITE STEEL & GALVANNEALED  
 0.125 [3.18] TH'K- FIBERGLASS

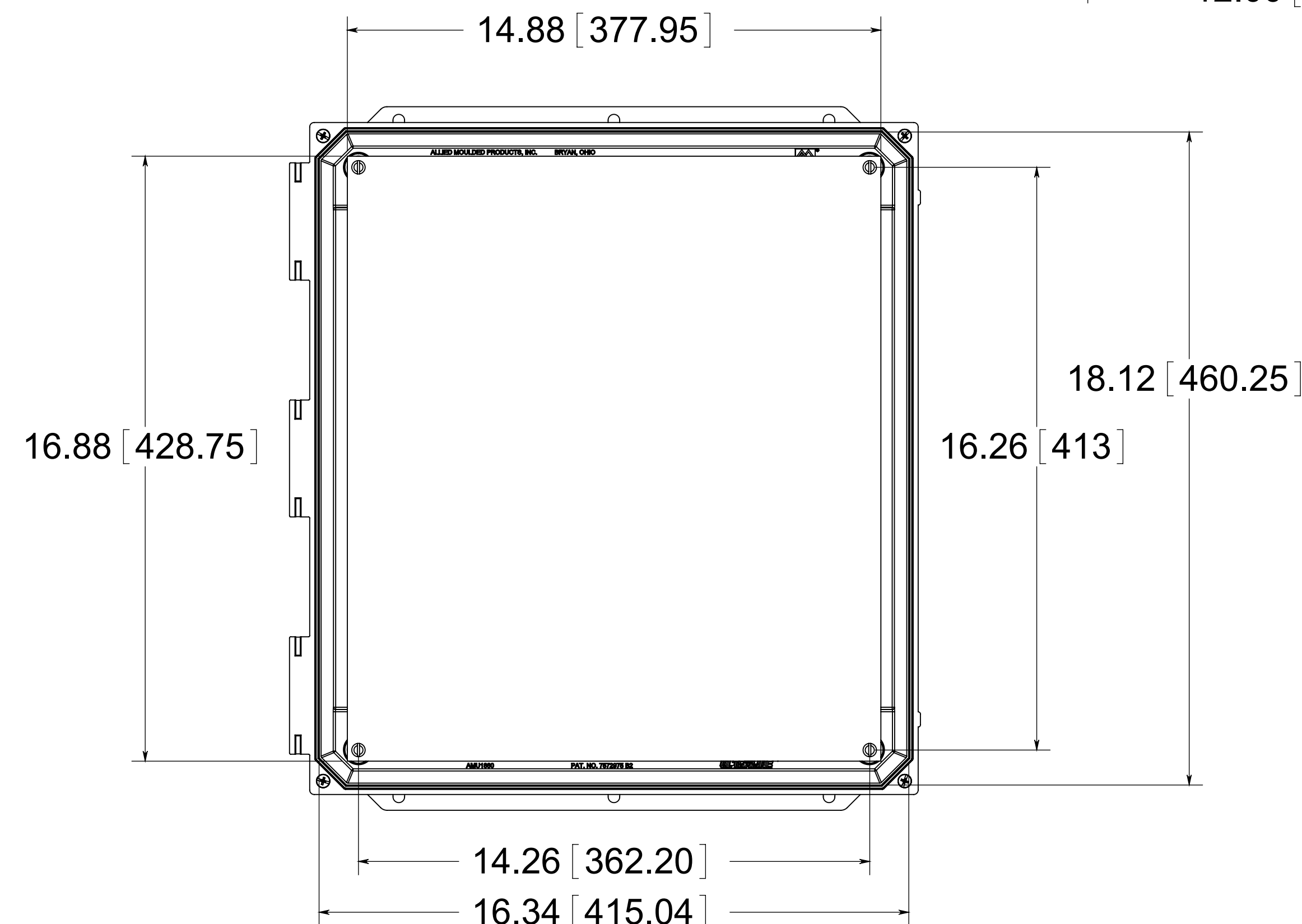
(2) POLYCARBONATE  
 FLANGES (GLUED)

(4) EACH #10-32 BRASS  
 INSERTS, AND STAINLESS  
 STEEL FLANGE AND  
 FEET SCREWS



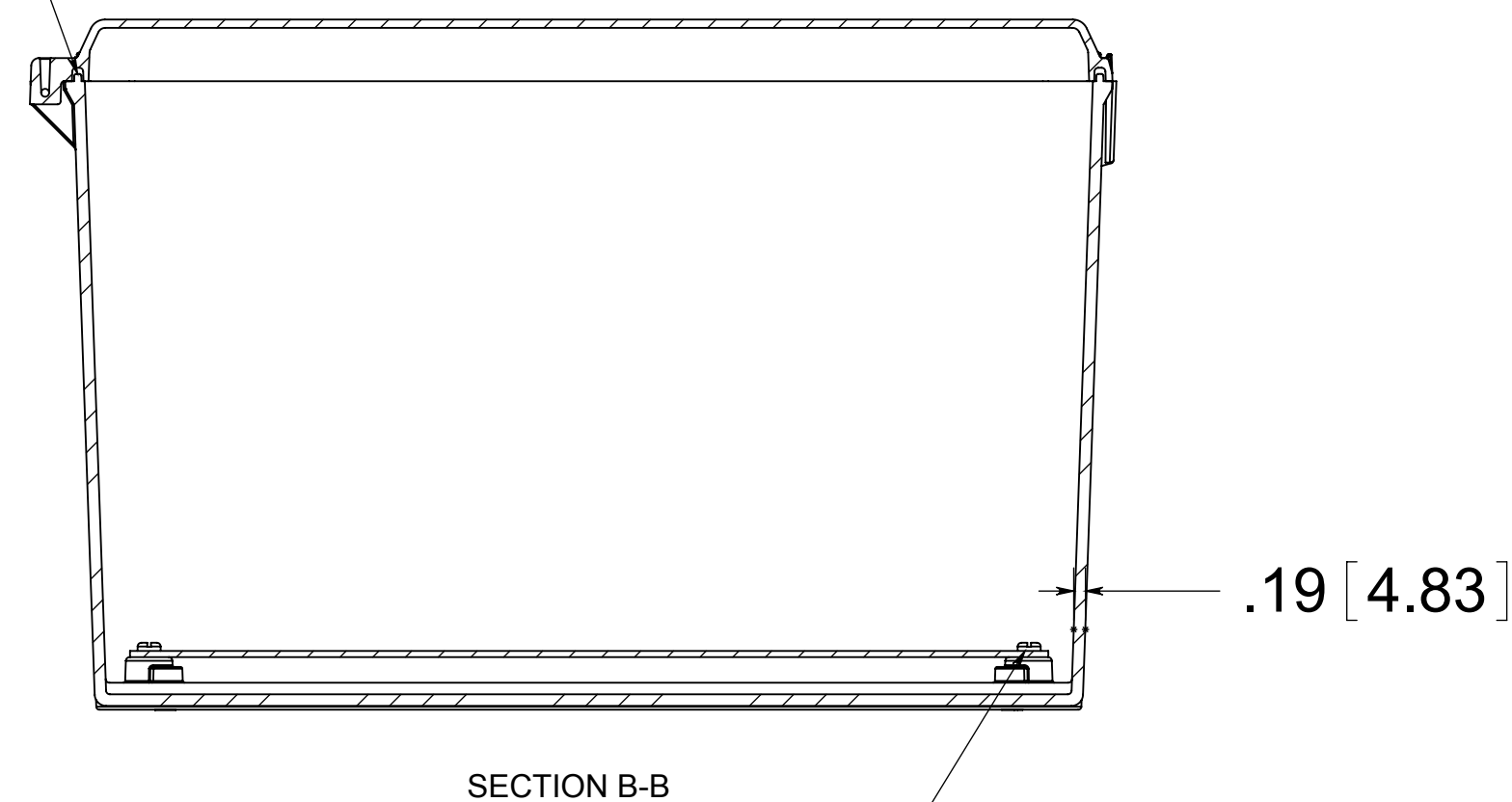
(12) R.162 [4.10]

FRONT VIEW  
 WITH COVER REMOVED  
 AND BACK PANEL DISPLAYED



(4) EACH #10-32 BRASS INSERTS  
 AND STAINLESS STEEL  
 CAPTIVE COVER SCREWS  
 WITH RETAINING O-RING

CLOSED CELL  
 NEOPRENE  
 GASKET



(4) EACH #10-32 BRASS  
 INSERTS AND PLATED  
 CARBON STEEL SCREWS

MATERIAL:  
 BOX- COMPRESSION MOLDED FIBERGLASS REINFORCED POLYESTER  
 COVER- COMPRESSION MOLDED FIBERGLASS REINFORCED POLYESTER  
 WINDOWS- POLYCARBONATE

ALLIED MOULDED PRODUCTS  
 BRYAN, OHIO  
 The Original Fiber Glass Outlet Box

Description  
**AMU Ultraline**  
 Part No.  
**AMU1860F**

**CONFIDENTIAL**  
 THIS MATERIAL IS OWNED BY THE ALLIED  
 MOULDED PRODUCTS COMPANY, IS DISCLOSED  
 IN CONFIDENCE, AND IS NOT TO BE REPRODUCED  
 OR DISTRIBUTED WITHOUT PRIOR WRITTEN  
 PERMISSION FROM ALLIED MOULDED PRODUCTS.